

kmR
ISO 9001



CERTIFICATE OF SCIENCE
AND TECHNOLOGY
ENTERPRISE
No. 04/2020-DNKHCN

CONTINUOUS KAIZEN & 5S
IMPLEMENTATION

WELCOME TO

CAM CORPORATION VIET NAM



SPECIALIZED IN PRECISION TOOLING WITH
TOLERANCES FROM ± 0.002 MM TO ± 0.005 MM



QUALITY
Precision you
can trust



INNOVATION
Advanced solutions
for your success



RELIABILITY
Consistent. Dependable.
Always.



www.camv.vn



GLOBAL PRESENCE & LOCATION



Vietnam Factory

- Can Giuoc, Tay Ninh, Vietnam



Headquarters

- Singapore



Factory

- China



Global Network



Location

A8, Road No.1, Kizuna 2 Factory Area,
Lot B4-3-7-8, Tan Kim Industrial Park,
Can Giuoc, Tay Ninh, Vietnam

(Near Ho Chi Minh City – Easy access to key industrial zones)



Company Facts

- Established: 2016
- Employees: 50
- Floor Area: 1,000 m²



Global Network

- Headquarter: Singapore
- Factory: China
- Representative Office: Thailand



OUR BOARD of DIRECTORS

Leadership. Experience. Commitment.



ROBIN TAN

Founder

CAM CORPORATION VIETNAM CO.,LTD



DOREEN TAN

Co-founder & Director for Thailand,
CAM CORPORATION VIETNAM CO.,LTD



GOH YIT BENG

Co-founder & Director for Singapore,
CAM CORPORATION VIETNAM CO.,LTD



STRATEGIC

Visionary leadership
driving sustainable growth



COLLABORATIVE

Working together across
borders for shared success



EXPERIENCED

Deep industry knowledge
and proven track record

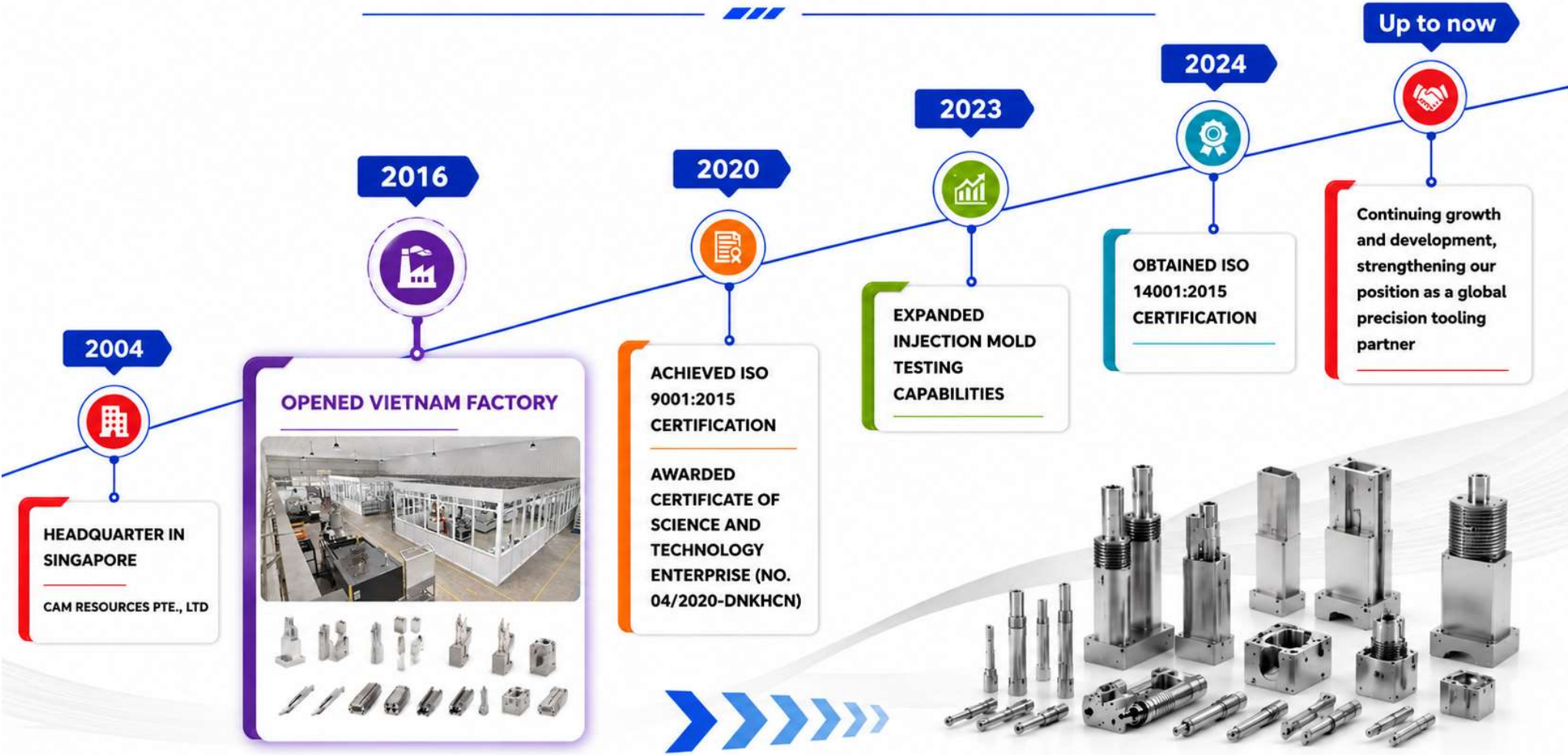


COMMITTED

Dedicated to our people,
partners and communities



OUR HISTORY





WHO WE ARE



One stop solution for all your precision needs



We fabricate **precision tooling** for mold components, die components, jigs and fixtures.



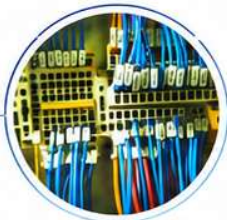
For plastic mold product we can **design, build, test** mold and do mass production.



Serving customers **worldwide** across the industries including electronics, connectors, medical, and automotive.



ELECTRONICS



CONNECTORS



AUTOMOTIVE



MEDICAL



HIGH
PRECISION



PREMIUM
QUALITY



CUSTOM
SOLUTIONS



LONG-LASTING
PERFORMANCE



www.camv.vn



WHO WE ARE >>>

One-stop solution for all your precision tooling needs, with tolerances from ± 0.002 mm to ± 0.005 mm.



Precision Machining
Solutions for Tooling
Components



Mold Inserts
Machining



Die Components
Manufacturing



Jigs & Fixtures
Fabrication



MOLD INSERTS MACHINING



MOLD INSERTS MACHINING



DIE COMPONENTS MANUFACTURING

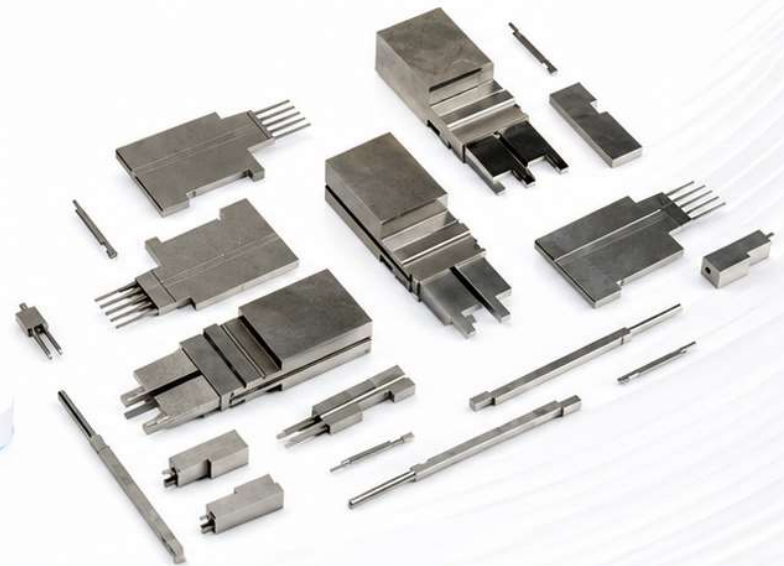
Our Products

Precision Parts. Reliable Performance.



MOLD COMPONENTS

PRECISION • QUALITY • DURABILITY



HIGH
PRECISION



PREMIUM
QUALITY



CUSTOM
SOLUTIONS



LONG-LASTING
PERFORMANCE



Our Products

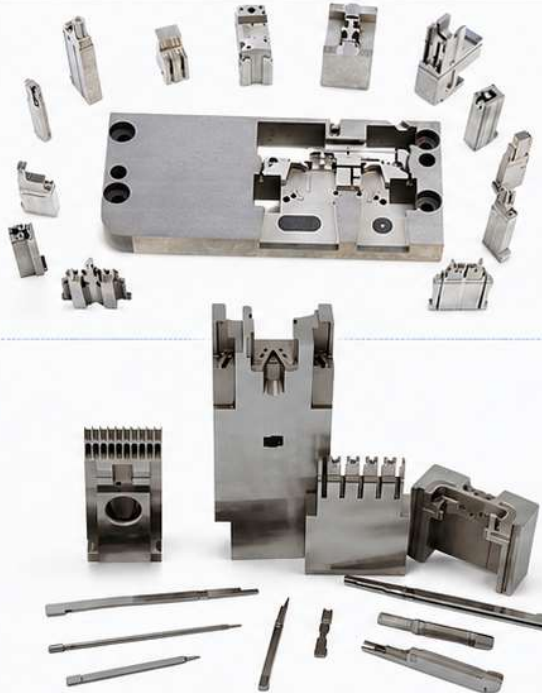
Precision Parts. Reliable Performance.

MOLD COMPONENTS

MOLD BASES & CAVITIES



PRECISION INSERTS & COMPONENTS



PUNCHES, SLIDERS & EJECTOR COMPONENTS



HIGH PRECISION

Tight tolerances for accurate performance



PREMIUM QUALITY

High-grade materials and strict QC process



CUSTOM SOLUTIONS

Tailored design and components to meet your needs



LONG-LASTING PERFORMANCE

Durable, reliable and built for continuous use



Our Products

Precision Parts. Reliable Performance.

DIE COMPONENTS

01 DIE COMPONENTS



02 DIE COMPONENTS



03 DIE COMPONENTS



HIGH PRECISION

Tight tolerances for accurate performance



PREMIUM QUALITY

High-grade materials and strict QC process



CUSTOM SOLUTIONS

Tailored design and components to meet your needs

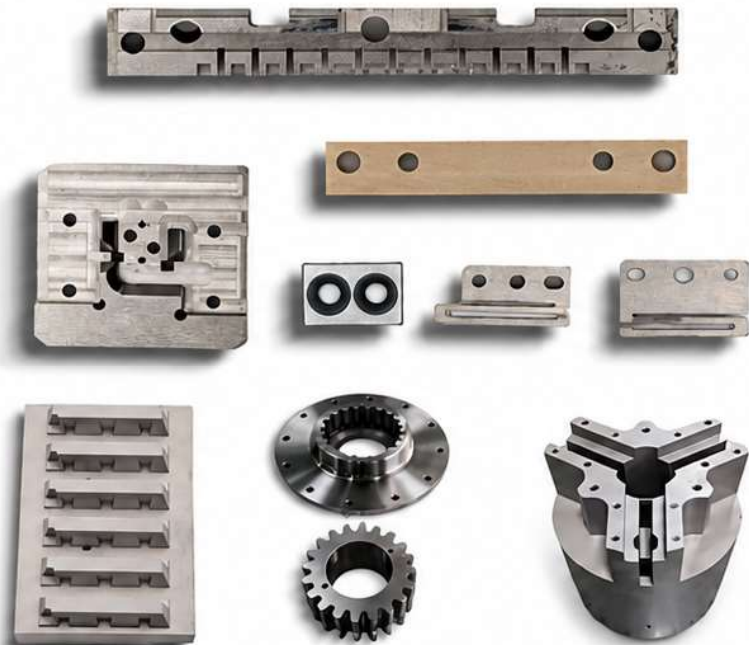


LONG-LASTING PERFORMANCE

Durable, reliable and built for continuous use



Our Products



JIGS AND FIXTURES



HIGH PRECISION

Tight tolerances for accurate performance



PREMIUM QUALITY

High-grade materials and strict QC process



CUSTOM SOLUTIONS

Tailored design and components to meet your needs



LONG-LASTING PERFORMANCE

Durable, reliable and built for continuous use

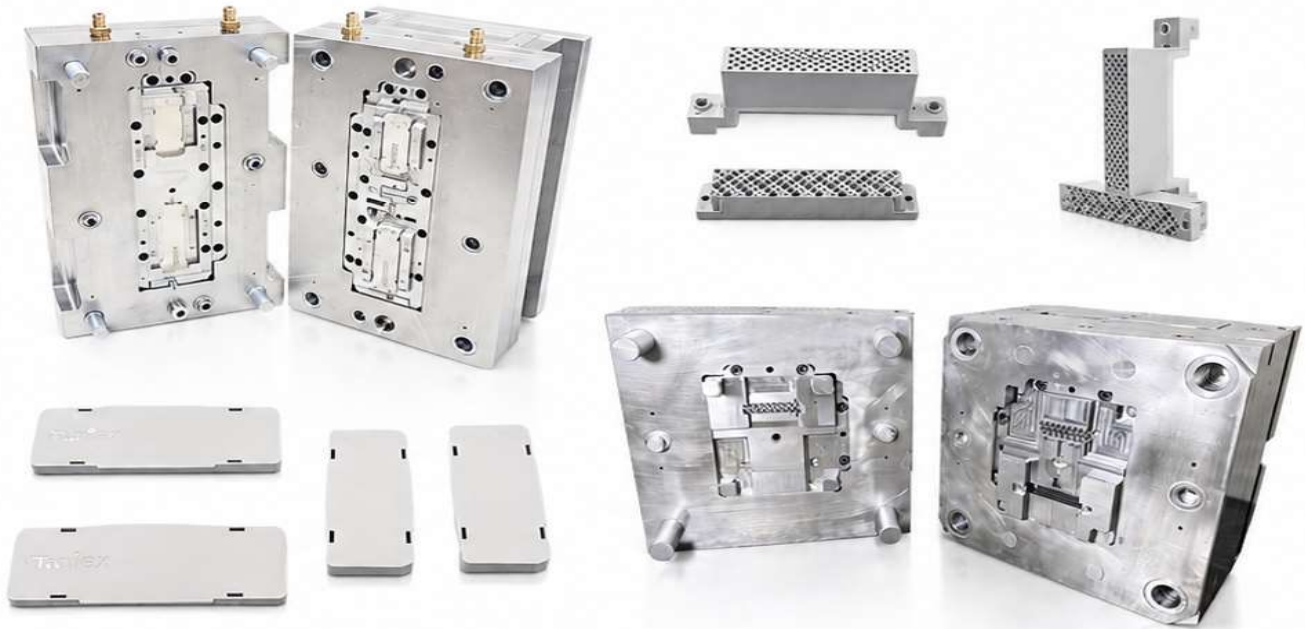


WHO WE ARE >>>

One-stop solution for all your precision tooling needs, with tolerances from ± 0.002 mm to ± 0.005 mm.

One-Stop Mold & Injection Solution

-  **Product & Mold Design**
-  **Tooling & Mold Build**
-  **Trial & Testing**
-  **Injection Molding / Mass Production**





Our Products

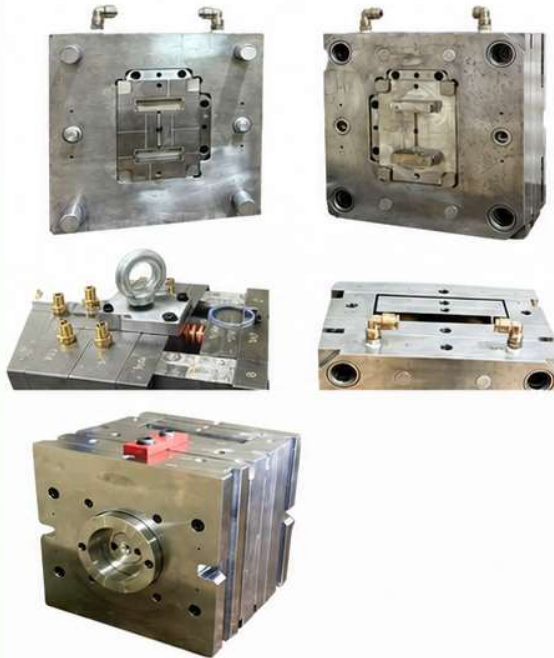
Precision Parts. Reliable Performance.

MOLD SET

01 / MOLD SET



02 / MOLD SET



03 / MOLD SET



HIGH PRECISION
Tight tolerances for accurate performance



PREMIUM QUALITY
High-grade materials and strict QC process



CUSTOM SOLUTIONS
Tailored design and components to meet your needs



LONG-LASTING PERFORMANCE
Durable, reliable and built for continuous use



Our Manufacturing Strengths



Vietnam-Based Manufacturing



Global Support



Japan & US Drawing Standards



Stable Quality



Fast & On-Time Delivery via DHL, FedEx, or UPS



OUR CUSTOMER





OUR MACHINES



Our factories are equipped with best-in-class machines to deliver finished products with utmost accuracy.



Our operators are well-trained and constantly upgraded to be masters of their art.



Plastic injection molding machine



EDM



CNC Milling



Surface Grinding



Wire Cut









OUR MACHINES LIST

Name	Brand	Model	Origin	Quantity	Accuracy
EDM	SODICK	AD32Ls	Japan	2	±0.005
	SODICK	AD32L	Japan	1	±0.005
Wire cut	mitsubishi	MV1200S	Japan	1	±0.002 =>±0.005
	SODICK	ALN400Gs	Japan	1	±0.002 =>±0.005
	KINGRED	KD400ZL-A	China	1	±0.002 =>±0.005
	BAQI	BQ400	China	1	
	SUPER DRILL	BH703	China	1	
	SUPER DRILL	NC-4030S	China	1	
	NEWWAY	VM 1103 HL	China	1	±0.01
	FEELER	VMP-40A	Taiwan	1	±0.01
	TAKEDA	TK-VS2N (Manual machine)	Japan	1	±0.01
	CNC MILLING	JINGDIAO	JDHGT600TH	China	1
JINGDIAO		JDHGT400T	China	1	± 0.002 =>±0.005 Max rotation speed 32,000/rpm



OUR MACHINES LIST

Name	Brand	Model	Origin	Quantity	Accuracy
 Grinding	PERFECT	PFG-2045AH	China	1	±0.002
	CHINA JIANGSU	LSG-618S	China	4	±0.002
	KENT	KSG-618M	China	2	±0.002
	CHINA JIANGSU	KGS 618	China	1	±0.002
	CHINA SHUQUANG	PMM-618B	China	1	±0.002
	MICCO TECHNOLOGY	MICCO 350	China	3	±0.002
 Plastic Injections Molding	BORCHE	Bi160-M	China	1	
 Hardness tester	ROCKWELL HARDNESS TESTER	DoHR150A	China	1	
 Sandblasting machine	SANDBLASTING		China	1	
 Laser marking machine	DANGER		China	1	
 Heat Treatment Furnace	SANTE FURNACE	STM-12-14	China	1	



EVER UP-TO-DATE SOFTWARE



Advanced
Machines



SolidWorks
& SolidCAM



EDM Technology



Precision Tooling
& Molding



Advanced Machines



SolidWorks & SolidCAM



EDM Technology



Precision Tooling & Molding



MATERIALS



STEEL AND ALUMINUM MATERIALS

SKD11, SKH51, DC53, PD613
S45C, S50C, SUS404, SKS3, SUS440C
ASP23, ASP30, DAC-MAGIC
HPM31, HAP40,....

A6061, A5052,



CARBIDE MATERIALS

E20, KD20, EF20, RD50, D40,
VF12, V10, V20, V30, V40, V50,
V60, MC20, G5, EF10,....

SURFACE COATING



PVD COATING

TiN	COATING 2~4 μm
TiCN	COATING 2~4 μm
TiAlN	COATING 2~4 μm
CrN	COATING 2~4 μm
AlCrN	COATING 2~4 μm
DLC	COATING 0.3~1.0 μm



OTHER COATING

- ✓ HARD CHROME 3μm~5μm
- ✓ ANODIZE COATING
- ✓ NICKEL-ZINC
- ✓ BLACK OXIDE



Quality on every single detail of the spec!

OUR CHECKING CAPABILITIES

1 MEASURING MICROSCOPE



Dimensional measurement for 2D features and precise tolerance inspection.

2 DIGITAL HEIGHT GAUGE



High accuracy vertical measurement for height, depth, and step inspection.

3 CMM (COORDINATE MEASURING MACHINE)



3D coordinate measurement for complex dimensions, form, profile and position accuracy.

4 MICROMETERS & CALIPERS



Precision measurement of external dimensions.

5 PIN GAUGE SET



Go/No-Go inspection for hole diameter accuracy.

6 BLOCK GAUGE



Inspection of internal and external length accuracy.

7 LASER MARKING MACHINE



Permanent marking for traceability, part identification and branding.

8 STEREO MICROSCOPE



Visual inspection for surface and assembly quality.

- ✓ Advanced measuring equipment
- ✓ Calibrated and traceable instruments
- ✓ Skilled and certified operators
- ✓ Strict inspection process to ensure consistent quality



ACCURACY • RELIABILITY • QUALITY ASSURANCE



OUR QC EQUIPMENTS

Name	Brand	Model	Quantity
CNC Coordinate Measuring Machine (CMM)	ACCRETECH	GB32316	1
Measuring Microscope	OLYMPUS	STM7	2
	SINOWON	STM7-MFA	1
	WANHAO	VTM3020G	1
Height Gauge(1 μ m)	MITUTOYO	—	6
	MIKROMETRY	—	2
Block Gauge	MITUTOYO	—	2
Pin Gauge	NIGARA SEIKI	—	9
Digital Vernier	MITUTOYO & WATER PROOF	—	9
Digital Micrometer	MITUTOYO	—	9
Dial Indicator (1 μ m)	MITUTOYO	—	8
Dial Indicator (2 μ m)	MITUTOYO	—	1
Metric Thread Gauge	Bewell -China	—	—
Inches Thread Gauge	Bewell -China	—	—
Inches Pin Gauge	Bewell -China	—	—



PACKAGING STANDARDS



Pre-Packaging



- Custom labelling



- Rust-proofing



- Demagnetizing



Shipments



- Trusted delivery partners



- On-time delivery



- Meet packaging standards
(from all countries)



“

*Call us to have
precision delivered*

OUR CONTACT CONSULTANTS:



Mr. Robin Tan

✉ Email: robin@camresources.net

☎ Mobile: (+84) 902 554 4001
(+65) 964 383 85



Ms. My Luong

✉ Email: my@camv.vn

☎ Mobile: (+84) 909 128 934



 www.camv.vn





THANK YOU



www.camv.vn

